



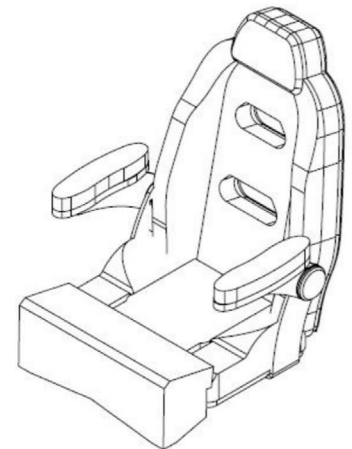
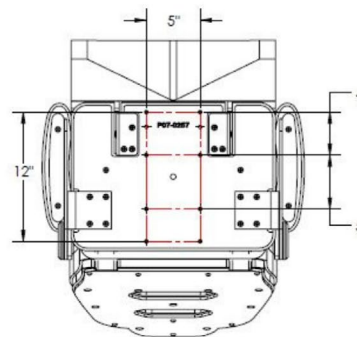
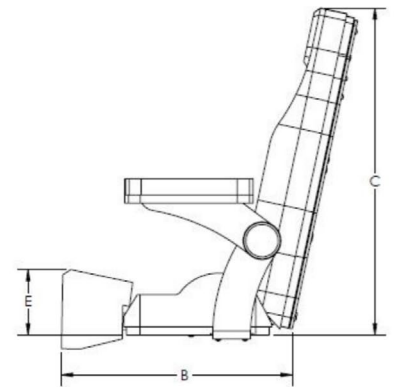
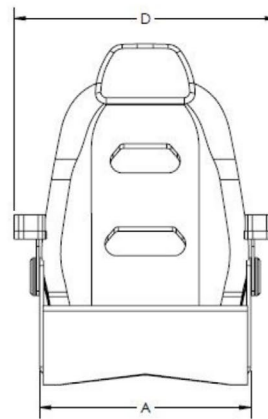
## OPEN WATER SPORT CHAIR



Introducing the plush, breathable Open Water Sport Chair - a 25" wide, aesthetically pleasing helm seat designed to keep you cool and comfortable during long boat rides. Its comfortable foam padding and sporty back cutouts not only provide ergonomic support, but also allow air to pass through at two strategic locations. The Open Water Sport Chair features dual, inset bolster rollback hinges to eliminate exposed hardware, avoid pinch points and racking, which means it can be lifted from any point on the bolster with smooth operation and no binding. Available to boat builders.

### FEATURES & BENEFITS

- Custom vinyl options and stitching available to OEM boat builders
- Smooth, inner bolster hinges to help avoid racking and binding
- Strong, powder-coated aluminum armrests with matching padding and material
- Ergonomic back and seat support
- Sporty back rest cutouts
- Two-tone vinyl options
- Meets ABYC H-31 impact test requirements



w tacomarine.com | ph 800.653.8568 | e info@tacomarine.com



PART NUMBER	DESCRIPTION	WEIGHT	LENGTH	UNIT	A	B	C	D	E
HA12	Open Water Sport Chair	45 lbs.	25"	Each	19-5/8"	21-3/8"	30-3/8"	24-3/8"	6-1/8"